



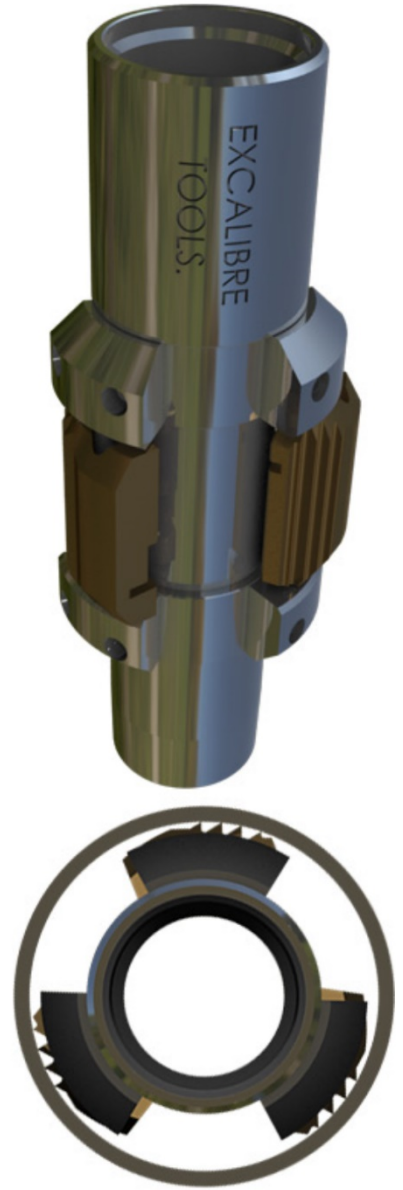
EXC Torque Anchor

The **Excalibre Torque Anchor (EXC)** is designed to anchor the Tubing String and Progressing Cavity Pump (PCP) within the wellbore. The EXC consists of a unique anchor design, which incorporates 3 Floating Slips and Mount Blocks that guarantee the Torque Anchor stays concentric within the wellbore casing. The EXC stops the right-hand rotation of the PC Pump, by providing Exceptional Stabilization of the Pump which eliminates tubing back-off, caused by the torsional forces produced by the PC Pump.

Benefits:

- Centralizing the Torque Anchor in the casing allows for increased production, by lifting the Slotted Tag Bar and Gas Separator intakes, off the casing ID and out of the Sand
- The open By-Pass area and centralized design, allows for greater annular space for gas to migrate up the annulus, rather than inside the PC Pump. It also, allows for Sand to by-pass the EXC Torque Anchor and not build up on the tool
- The Floating Slips provide a hardened drag portion to keep the teeth from contacting the casing ID on entry.
- Solid Drive Pin and Floating Slip design for simple setting and straight pull-up release procedures.
- Inconel springs for H₂S and CO₂ resistance
- Simple rebuild procedure

Operation: The **EXC** is threaded onto the tubing string above or below the PC Pump. The **EXC** is run to the desired setting depth, and right-hand Pre-Torque is applied to the Tubing String/PC Pump. The EXC is released by straight pull-up from the wellbore.



Casing Size		Casing Weight		Tool O.D.		Thread Connection		Tool I.D.	
in.	mm.	lbs. /ft.	kg. /m.	in.	mm.	in.	mm.	in.	mm.
5-1/2	139.7	13-20	19.3-29.8	4.63	117.5	2 7/8 EUE	73.0 EUE	2.44	62.0
7.0	177.8	17-26	25.3-38.7	6.13	155.6	3 1/2 EUE	88.9 EUE	3.00	75.9
8-5/8	219.1	20-32	29.8-47.6	7.75	196.9	3 1/2 EUE 4 1/2 EUE	88.9 EUE 114.3 EUE	3.00 4.00	100.6
9-5/8	244.5	36-47	53.57-69.94	8.4	213.4	3 1/2 EUE 4 1/2 EUE 5 1/2 LTC	88.9 EUE 114.3 EUE 139.7 LTC	3.00 4.00 4.00	100.6

Sour service and CO₂ service available on request. Other sizes available on request.