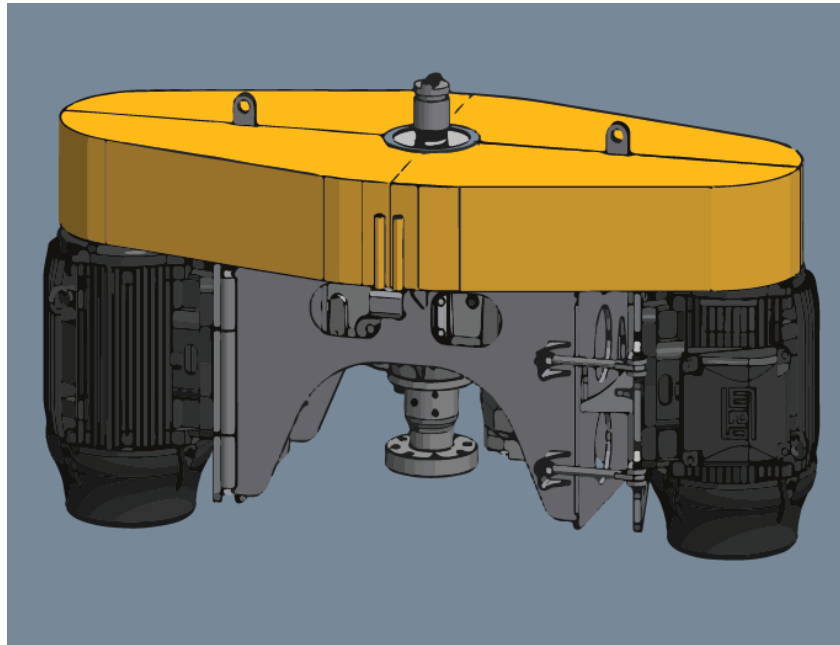




PRO-150 DIRECT DRIVE HEAD SPECIFICATION SHEET



Continuous Torque	3390 N-m (2500 ft-lb)
Brake Torque	3390 N-m (2500 ft-lb)
Power Rating	Single motor 75 kW (100 hp) ; Dual motor 110 kW (150 hp)
Axial Load Rating	1245 kN (280,000 lbf) ISO L10
Sheaved Speed Rating	200-500 rpm
VFD Speed Rating	50-600 rpm
Polished Rod Size	31.75 or 38.1 mm (1-1/4 or 1-1/2 inch)
Wellhead Connection	4-1/16 3k R37 or 5-1/8 3k R41 API Flange
Prime Movers	Electric motor or hydraulic
Motor Rotation	ClockWise looking at shaft end
Stuffing Box	Available with either Integral or Rope Packing style





6-Bolt Clamp with Optional Lockdown Clamp

- The Lockdown Clamp prevents unintentional polish rod lift from unexpected pressure spikes and keeps the rod string from being ejected in the event of a sucker rod or polish rod break
- Typical 6-bolt Clamp design
- Available for 1-1/4 and 1-1/2 inch Polish Rods
- Clamp guards available as an option



	DIM 'A' (in)	DIM 'B' (in)	DIM 'C' (in)	WEIGHT (lb)
Integral Seal Housing	33.13	-	-	1,350
Rope Stuffing	-	48.13	-	1,400
Mounting Distance Min	-	-	20	-
Mounting Distance Max	-	-	23	-

