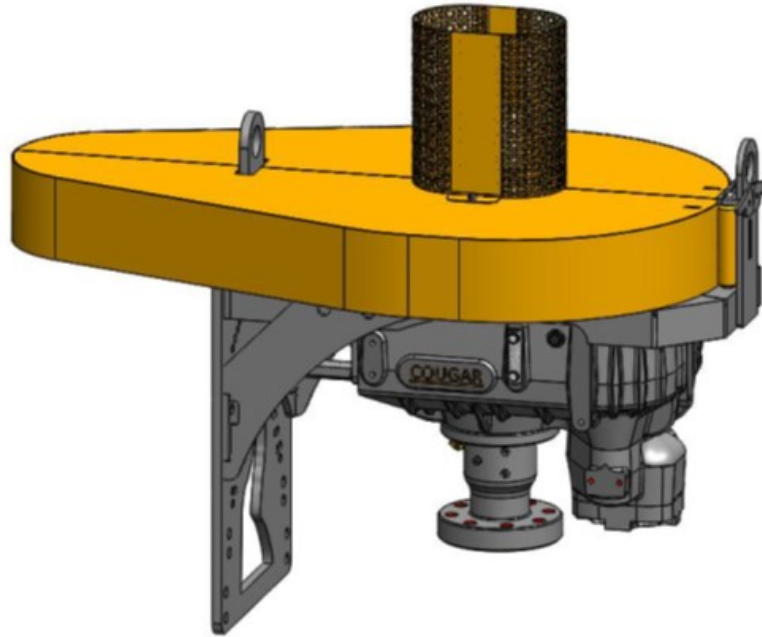


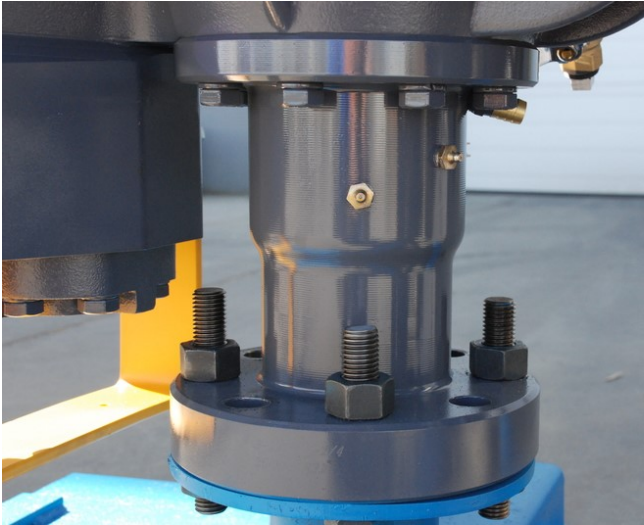


PRO-50 DIRECT DRIVE HEAD SPECIFICATION SHEET



Continuous Torque	1627 N-m (1200 ft-lb)
Brake Torque	3857 N-m (2845 ft-lb)
Power Rating	Single Motor 50 Hp
Axial Load Rating	495 kN (111,280 lbf)
Sheaved Speed Rating	200-500 rpm
VFD Speed Rating	50-600 rpm
Polished Rod Size	31.75 or 38.1 mm (1-1/4 or 1-1/2 inch)
Wellhead Connection	3-1/8 3k R31 or 4-1/16 3k R37 API Flange
Prime Movers	Electric motor
Motor Rotation	ClockWise looking at shaft end
Overall Height	889 mm (35 inches) from bottom of seal housing to top of gland
Overall Weight	381 kg (840 lbs)





Sealing System

- Consists of 3 specially designed PTFE/Carbon Seals
- Includes 4 ports (2 lubrication, 2 inspection) for preventative maintenance
- Top drain provided for safety
- Seal located over wear sleeve mounted on the bottom of the hollow main shaft
- Wear sleeves are available in spray coated stainless steel for corrosive applications
- Seal repairs are done with an exchange seal housing to minimize down time

6-Bolt Clamp with Optional Lockdown Clamp

- The Lockdown Clamp prevents unintentional polish rod lift from unexpected pressure spikes and keeps the rod string from being ejected in the event of a sucker rod or polish rod break
- Typical 6-bolt Clamp design
- Available for 1-1/4 and 1-1/2 inch Polish Rods
- Clamp guards available as an option

